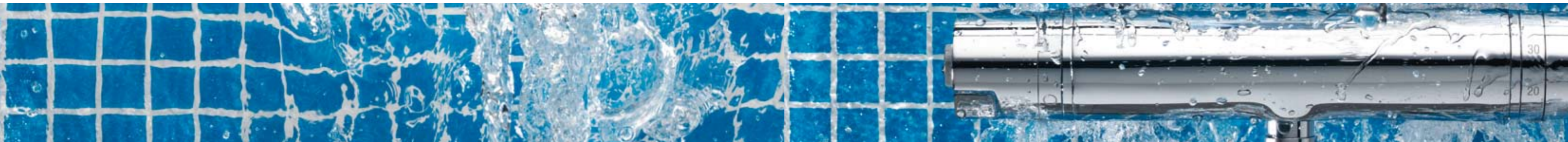


Thermofit – intelligent technology at attractive prices.

SimilorGroup



Thermofit sets new standards in the shower and bath. The thermostat with in-built Swiss precision is a convincing example of intelligent technology,

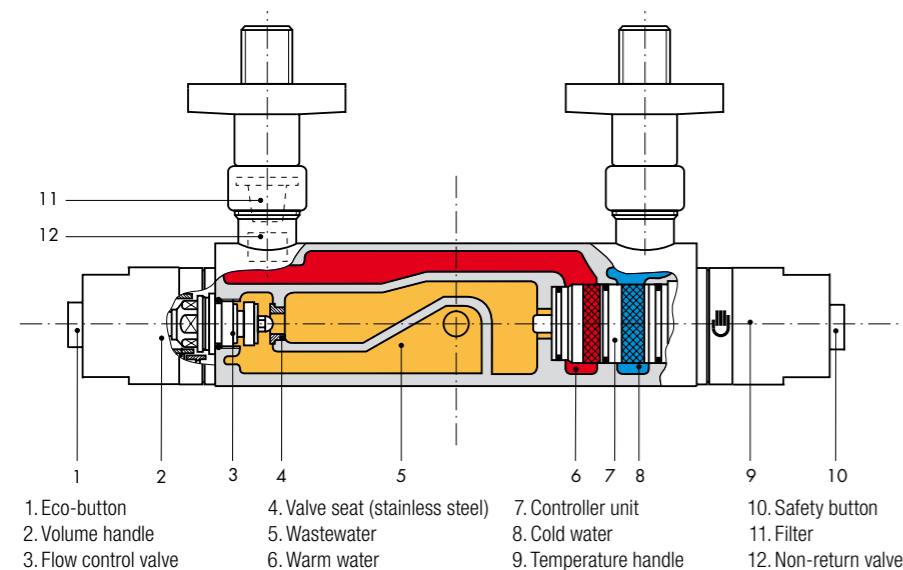
offering up to 40% savings on water consumption and child-friendly anti-scald protection. Intelligent technology means smooth and convenient temperature and flow volume control.

Naturally, with a 38° temperature limiter, you're in for a safe and carefree bath and shower experience. While thanks to the eco-button you can also save up to 40% on water. And last but not least, the protective thermostatic function immediately reduces the temperature of hot water feed by adding cold water.

For all these reasons, Thermofit carries the Energy Label, the mark of distinction for taps and fittings with a high water and energy savings potential.

Good reasons to choose Thermofit.

Good reasons to choose Thermofit.



Thermofit – Swiss precision in the bath.

SimilorGroup

**Similor Kugler AG**  
Rue Joseph-Girard 16<sup>bis</sup> / CP 1656  
CH-1227 Carouge GE, Switzerland

Richtstrasse 2  
CH-8304 Wallisellen, Switzerland

**arwa AG**  
Rue Joseph-Girard 16<sup>bis</sup> / CP 1656  
CH-1227 Carouge GE, Switzerland

Richtstrasse 2  
CH-8304 Wallisellen, Switzerland

[www.similorgroup.com](http://www.similorgroup.com)  
[info@similorgroup.com](mailto:info@similorgroup.com)

Call Center: 0848 000 166  
Fax: +41 (0)22 827 94 01

SimilorGroup gathers the companies Similor Kugler, arwa and Sanimatic.

Bathroom and kitchen since 1854  [www.similorgroup.com](http://www.similorgroup.com)



You're in seventh heaven with Thermofit.



**Thermofit, thermostatic shower mixer**  
5.04350.100.000, Chromline

Thermofit – elegant design and total comfort

At last, the day's work is over. Time for a nice relaxing full bath. Good for the body and soul. A quick twist and, in a flash, water at a precise 35° comes tumbling into the bathtub. A few bath beads and the bathroom is filled with a sensual fragrance. Soft music can be heard. Leave your daily cares and woes behind you. Start to relax and get into the right frame of mind for the evening.



**Thermofit, thermostatic bath mixer**  
5.04380.100.000, Chromline

Thermofit – for guaranteed well-being.

Thermofit guarantees laser-sharp control over water temperature and is the most precise model in the market. Simply turn the tap and out the water comes tumbling at the desired temperature. Straight away. And the best part about it is that the child-friendly safety button limits the temperature to 38° to prevent any risk of scalding. Nice and safe. But Thermofit also means savings. A slight twist of the handle gives you an infinitely variable flow volume. And thanks to the eco-button, you can also save on wasted water. Invisible comfort. Visible elegance.



**Side wall shower**  
with adjustable jet  
4.04100.100.000, Chromline

For the ultimate shower experience.



**Thermofit concealed selection valve**  
5.03076.100.000, Chromline

**Thermofit concealed thermostatic mixer**  
with temperature handle and safety button  
5.03074.100.000, Chromline

**Thermofit concealed shut-off valve**  
with water saving button  
5.03075.100.000, Chromline